



The Ultimate
Driving Machine®

MASTER OF MOTION.

BMW MODEL OVERVIEW.

PREMIUM PERFORMANCE.

BMW stands for one thing above all else: premium performance. Fueled by the pursuit of advanced engineering, superb design, technological innovation and enhanced connectivity, this drive for perfection is at the core of BMW's brand identity. It's reflected in our latest models, like the new X2 and the all-new X5 and M5, and is the reason BMW has been regarded as one of the most progressive vehicle manufacturers in the world for the past century.





BMW X2



BMW X3



BMW 7 SERIES



BMW 530e

PAST, PRESENT AND FUTURE

 **THE NEXT 100 YEARS**
Future of BMW

 **BMW DESIGN**
Hallmarks of performance

 **ENGINEERING**
Performance is paramount

 **BMW INNOVATIONS**
ConnectedDrive® |
Gesture Control | Touch Display

MEET THE FAMILY


 **BMW M**
M240i | M2 | M3 | M4 | M550i
M5 | M6 | M760i | M850i
X3 M40i | X4 M40i | X5 M | X6 M

 **BMW 2 SERIES**
Coupe | Convertible

 **BMW 3 SERIES**
Sedan | Sports Wagon
Gran Turismo

 **BMW 4 SERIES**
Coupe | Convertible
Gran Coupe

 **BMW 5 SERIES**
Sedan

 **BMW 6 SERIES**
Gran Coupe | Gran Turismo

 **BMW 7 SERIES**
Sedan

 **BMW i PERFORMANCE**
330e | 530e | 740e | X540e


 **BMW ALPINA**
B7 | B6

 **X MODELS**
X6 | X5 | X4 | X3 | X2 | X1

 **BMW i8 / i3**
Electric Performance

BMW FULLY LOADED

 **BMW INDIVIDUAL**
Uncompromising selection

 **M MOTORSPORT**
Competing at the highest level

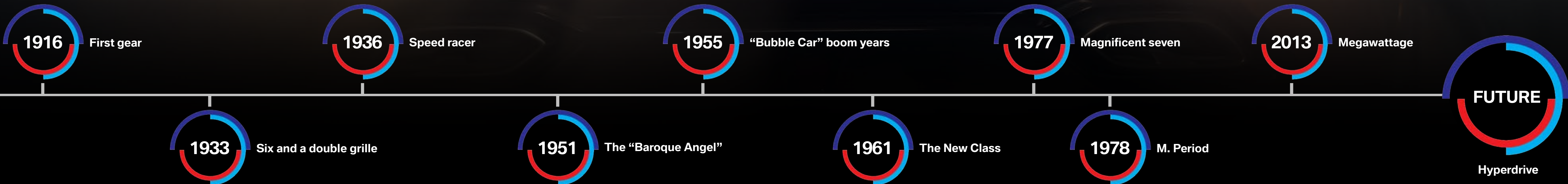
 **BMW ACCESSORIES**
Retrofitted adrenaline

 **EURO DELIVERY**
Make your delivery an event

 **BMW PERFORMANCE DRIVING SCHOOL**

 **BMW MOTORRAD**
The Ultimate Riding Machine®

FUTURE.





FIRST GEAR.

March 7, 1916 is recognized as the official founding date of Bayerische Motoren Werke (BMW). The 1928 BMW Dixie 3/15 PS DA, with its all-steel construction, was the first BMW to officially be offered to the public.



1916



SIX AND A DOUBLE GRILLE.

The first BMW to incorporate a six-cylinder engine and the trademark double kidney grille is the 1933 BMW 303. It is considered to be the prototype for all subsequent BMW automobile designs.

1933



SPEED RACER.

The iconic BMW 328 premiered competitively at the Nürburgring racetrack in Germany in 1936. By 1940, it had participated in 172 national and international races, achieving 141 victories in the process.



1936



THE “BAROQUE ANGEL.”

The BMW 501 was the company’s first post-war model. Although not a commercial success, its luxurious quality quickly restored BMW’s status as a premium auto manufacturer.



1951

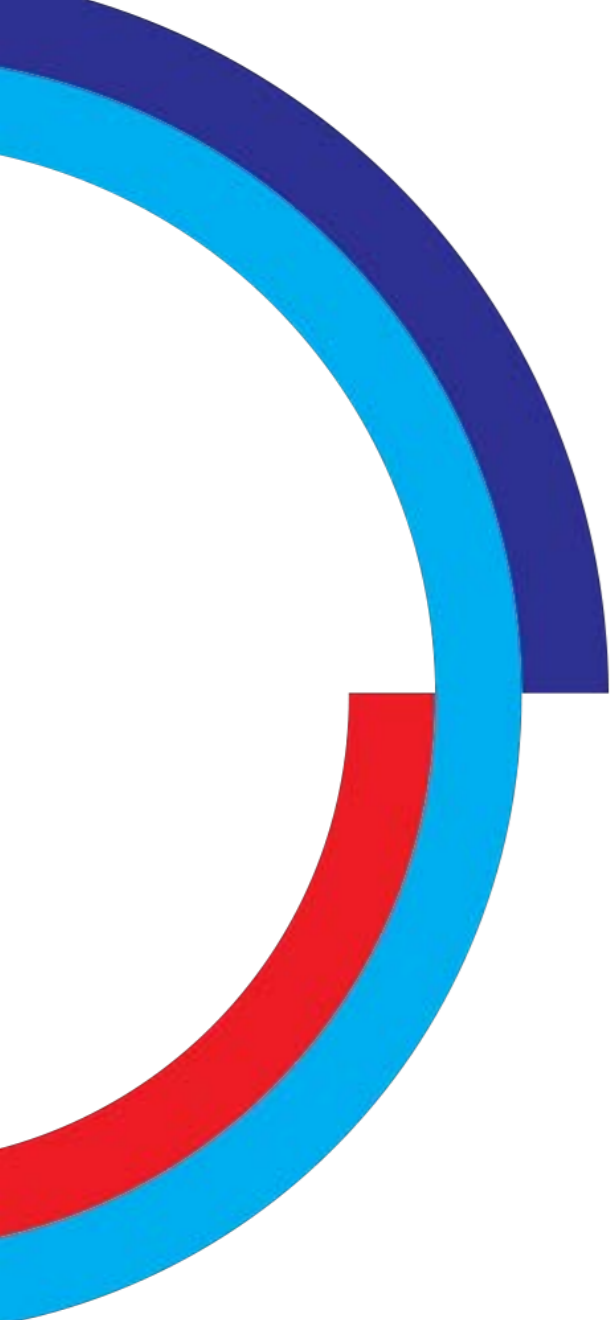


“BUBBLE CAR” BOOM.

Nicknamed the “Bubble Car” because of its egg-shaped exterior, the BMW Isetta captured the hearts of the public. Over 160,000 Isettas were purchased in the Fifties, making it the best-selling BMW of that decade.



1955



THE NEW CLASS.

The BMW 1500 was the model that re-established BMW as a successful, modern automaker. The sporty, middle-class sedan became an immediate hit after its introduction at the Frankfurt Motor Show.



1961

MAGNIFICENT SEVEN.

When the BMW 7 Series was launched, it was considered to be state-of-the-art technology. Each successive generation has interpreted the ethos of this iconic luxury sedan anew.



1977

European model shown.



M. PERIOD.

Initially envisioned for the racetrack, the revolutionary M1 delivered a pulse-pounding 277 hp with 243 lb-ft of torque, could reach top speeds of 162 mph and redefined the era's supercar category.



1978

MEGAWATTAGE.

The ultimate “green machine,” the BMW i8 has been revolutionizing its vehicle class ever since its introduction. A tour de force of sustainable mobility, it is the rarest of all hybrids: a plug-in with the sleek lines and performance of a true sports car, yet delivers the low consumption and emissions of a compact.



2013

INNOVATE TO ELEVATE.

The BMW M8 Gran Coupe. The BMW Z4. The BMW X7. We've been busy, and we're always finding new ways to innovate the driving experience. Be prepared for exciting things ahead.



FROM A LINE TO A BLUR.

Great design is just the starting point for the powerful emotions that characterize the BMW experience. A total devotion to sophisticated aesthetics, from the unforgettable silhouette to the precise lines, forge the BMW visual identity and make every BMW a real head-turner.

KIDNEY GRILLE

Introduced on the BMW 303 in 1933. The unmistakable face of every BMW vehicle.



FROM A LINE TO A BLUR.

Great design is just the starting point for the powerful emotions that characterize the BMW experience. A total devotion to sophisticated aesthetics, from the unforgettable silhouette to the precise lines, forge the BMW visual identity and make every BMW a real head-turner.

THE ROUNDEL

Displayed on BMWs since 1917, it incorporates the colors of the Bavarian flag.



FROM A LINE TO A BLUR.

Great design is just the starting point for the powerful emotions that characterize the BMW experience. A total devotion to sophisticated aesthetics, from the unforgettable silhouette to the precise lines, forge the BMW visual identity and make every BMW a real head-turner.



HOFMEISTER KINK

The counter curve that defines the rear window by the rear roof C-pillar.

FROM A LINE TO A BLUR.

Great design is just the starting point for the powerful emotions that characterize the BMW experience. A total devotion to sophisticated aesthetics, from the unforgettable silhouette to the precise lines, forge the BMW visual identity and make every BMW a real head-turner.



AERODYNAMIC DESIGN

Offers outstanding air resistance that boosts efficiency and reduces fuel consumption.

FROM A LINE TO A BLUR.

Great design is just the starting point for the powerful emotions that characterize the BMW experience. A total devotion to sophisticated aesthetics, from the unforgettable silhouette to the precise lines, forge the BMW visual identity and make every BMW a real head-turner.



QUAD HEADLIGHTS

Two sets of double round lights are cut off at the top, ensuring a focused view of the road.



DRIVING FORCE.

Award-winning BMW TwinPower Turbo gasoline and diesel engines, including the M Performance TwinPower Turbo V-12 engine, are the heart and soul of all BMWs. They combine the latest injection systems, fully variable performance control, and innovative turbo technology – setting the brand far apart from the competition.



GRIPPING POWER.

BMW xDrive intelligent all-wheel drive optimizes traction and enhances agility and stability on all types of road surfaces – even in tight curves. Utilizing sensors that measure wheel speed, steering angle and traction, xDrive seamlessly distributes power between the front and rear axles. This allows each BMW to maintain its natural handling abilities in dry conditions, while self-adjusting when any loss of traction occurs or driving conditions change.

INNOVATION REDLINED.

When it comes to game-changing innovation, BMW has always been ahead of the curve. The sophisticated features you'll find in our models today are paving the way for the autonomous driving technology of tomorrow.



LIVE COCKPIT PROFESSIONAL

OFF-ROAD PACKAGE

DRIVING ASSISTANCE PROFESSIONAL

INNOVATION REDLINED.

When it comes to game-changing technology, BMW has always been ahead of the curve. Today, our models today are paving the way for the technology of tomorrow.



DRIVING ASSISTANCE PROFESSIONAL

DRIVING ASSISTANCE PROFESSIONAL

Your BMW can assist you in each step of your journey. Automatic Lane Changing, Steering and Traffic Jam Assistant and Active Lane Keeping Assistant all act as an extra set of eyes to keep you both safe and relaxed.

INNOVATION REDLINED.

When it comes to game-changers, we've been ahead of the curve. Today, our models today are paving the way for the technology of tomorrow.

OFF-ROAD PACKAGE

Introduced on the all-new BMW X5, the Off-road Package brings with it an M Sport differential, 2-axle air suspension and four different off-road modes that are designed to let the X5 tackle a variety of conditions and elevations.



DRIVING ASSISTANCE PROFESSIONAL

INNOVATION REDLINED.

When it comes to game-changing technology, we've been ahead of the curve. Today, our models today are paving the way for the technology of tomorrow.



DRIVING ASSISTANCE PROFESSIONAL

LIVE COCKPIT PROFESSIONAL

Comprised of a 12.3-inch adjustable instrument cluster, 10.25-inch multi-input central iDrive 7.0 display and Head-up Display, Live Cockpit ensures you have the right information available to you at all times while keeping you focused on the road ahead.

A dark-colored BMW car is shown from a low-angle, side-profile perspective. The car is mostly in shadow, but its side vents are illuminated from within, creating a series of parallel light stripes that extend towards the ground. The front wheel, featuring a multi-spoke alloy design with the BMW logo in the center, is clearly visible on the right side. The overall atmosphere is sleek and futuristic.

LUXURY MEETS THE FUTURE.

BMW offers innovative luxury: a concept that transcends luxury for its own sake. Each BMW is a blend of both sublime form and state-of-the-art function. With features such as Gesture Control and Ambiance Lighting, driving your BMW is a rich experience every time.

ALL THAT YOU WISH FOR.

Innovation is always at your fingertips. The Touch Command tablet and Gesture Control – BMW's pioneering technology – along with nuanced light sources, direct and indirect, transform the interior of the BMW 7 Series into a modern lounge: a setting for relaxation, innovation and comfort. It's a ride in First Class, every time.



Ambiance Lighting



Gesture Control



Display Key



Touch Command tablet



DETERMINED TO BE DRIVEN.

BMW M.

The basis for each M vehicle is already special – it's a BMW. To transform it into an M, every detail is poured over, adding race-ready suspensions, muscular TwinPower Turbo engines and heart-stopping braking ability. Of course, it's still a BMW, so comfort and advanced technology are also paramount. The result? A vehicle you can commute in each week day, and drive at the track each weekend.





FIRE. POWER.

The BMW M240i Coupe and Convertible were born to handle both road and track with ease. An M Performance TwinPower Turbo engine, lightweight Adaptive M Suspension and driver-focused interior provide you with the tools to exploit the M240i's impressive performance.

THE BMW M240i

Exterior

Upholstery

Trims

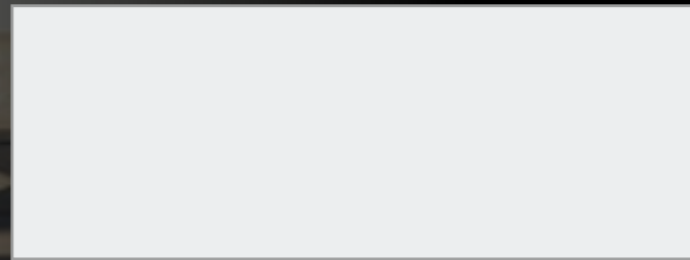
Wheels

Packages

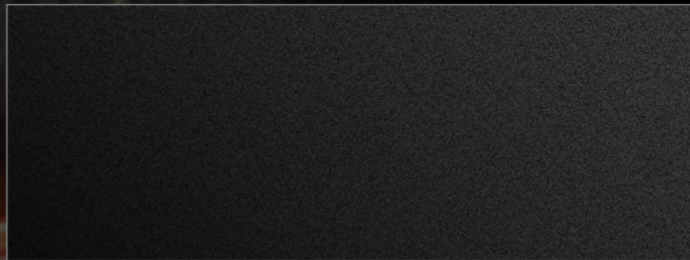
Technical data



Exterior colors



300 Alpine White (NonMetallic)



475 Black Sapphire Metallic



B45 Estoril Blue Metallic



B39 Mineral Grey Metallic



A75 Melbourne Red Metallic



C1X Sunset Orange Metallic

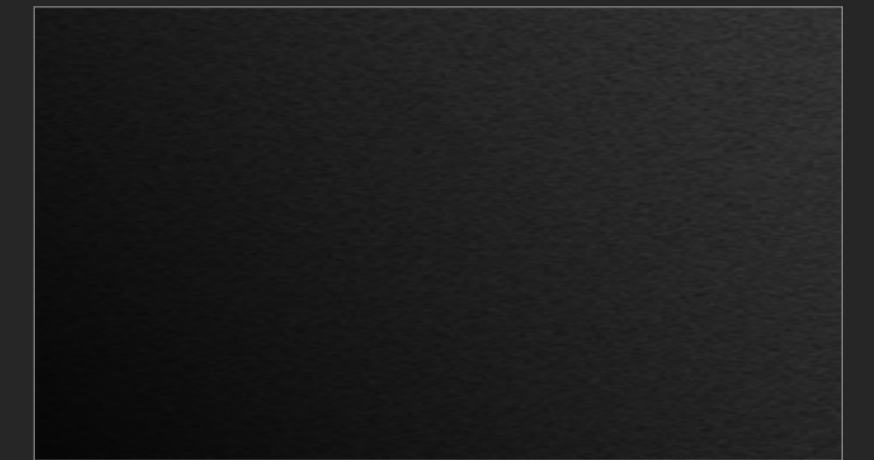
MOOD MHANCER.

The BMW M240i Convertible has all the M Performance enhancements of the Coupe, plus the ability to put the top down at the touch of a button. Adding xDrive intelligent all-wheel drive will keep your BMW M240i planted in all weather conditions while adding grip off the starting line.

Not all features are available on all models. Get the latest information on standard and optional features, packages and technical specifications. Visit bmwusa.com and select the BMW model of your choice.

Get the look

Love the look shown here? You can get it with these features.



475 Black Sapphire Metallic



Side-view mirror caps in Ferric Grey

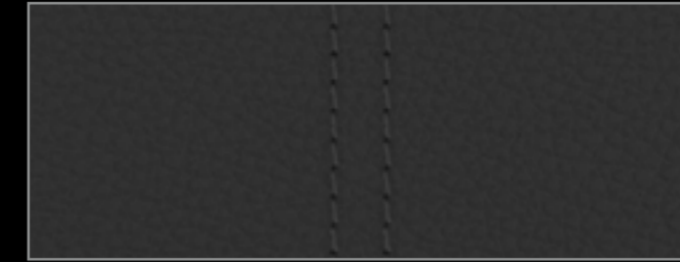


18" M Double-spoke jet black wheels, style 719M

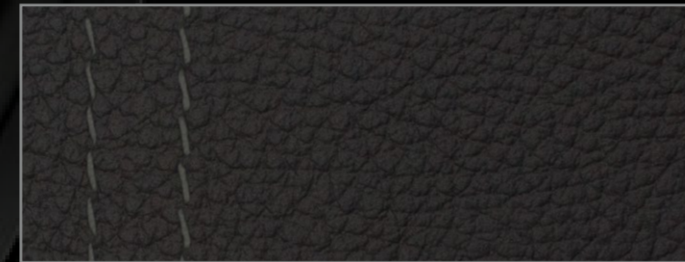
Upholstery



KCCX Sensatec Oyster/Black



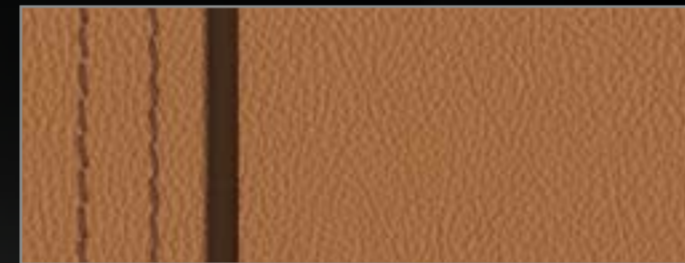
KCSW Black SensaTec



LCSW Black Dakota Leather



LCOM Oyster Dakota Leather



LCRY Cognac Dakota Leather with Dark Brown highlight



LCL5 Coral Red Dakota Leather with Black highlight

RACE SPACE.

Sit in the 10-way power sport seats. Grab the thick rim of the M sport steering wheel. Glance down at the extended gauge cluster. Tap the paddle shifter at your fingertip's reach. Finally, smile; you've reached driving nirvana.

Not all features are available on all models. Get the latest information on standard and optional features, packages and technical specifications. Visit bmwusa.com and select the BMW model of your choice.

Get the look

Love the look shown here? You can get it with these features.



M Sport Steering Wheel



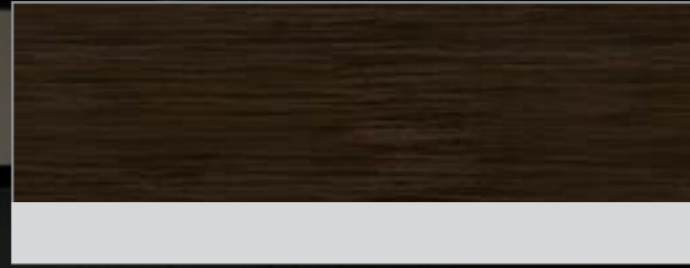
iDrive 6.0



LCSW Black Dakota Leather

Leather: Leather on all seating surfaces; other components may be Leather or SensaTec.

Interior trims



4LR Fine-wood 'Fineline' Trim with Pearl Chrome Accent



4WF Aluminum Hexagon Trim with Estoril Blue matte highlight



4F9 Fineline Pure Wood Trim w/ pearl chrome highlight



4WG Aluminum Hexagon Trim with Black high-gloss highlight

Get the look

Love the look shown here? You can get it with these features.



4WG Aluminum Hexagon Trim with Black high-gloss highlight



Dual-zone Automatic Climate Control



M Door Sill Finishers

Not all features are available on all models. Get the latest information on standard and optional features, packages and technical specifications. Visit bmwusa.com and select the BMW model of your choice.

Wheels



18" M Double-spoke jet black wheels, style 719M

18 x 7.5 front, 18 x 8.0 rear; and 225/40 front, 245/35 rear performance^{1,2} run-flat³ tires

18 x 7.5; and 225/40 all-season¹ run-flat³ tires



18" M Double-spoke bi-color wheels, style 719M

18 x 7.5 front, 18 x 8.0 rear; and 225/40 front, 245/35 rear performance^{1,2} run-flat³ tires

18 x 7.5; and 225/40 all-season¹ run-flat³ tires

¹ Run-flat tires do not come equipped with a spare wheel and tire.

² Driving over rough or damaged road surfaces, as well as debris, curbs and other obstacles, can cause serious damage to wheels, tires and suspension parts. This is more likely to occur with low-profile tires, which provide less cushioning between the wheel and the road. Be careful to avoid road hazards and reduce your speed, especially if your vehicle is equipped with low-profile tires.

³ Performance tires are not recommended for driving in ice and snow conditions.

Wheel and tire specifications are subject to change. Not all features are available on all models. Get the latest information on standard and optional features, packages and technical specifications. Visit bmwusa.com and select the BMW model of your choice.

Packages

Premium Package

Heated Steering Wheel

Universal Garage Door Opener

Heated Front Seats

Navigation system

Advanced Real-Time Traffic Information

BMW Remote Services

Speed Limit Info

Not all features are available on all models. Get the latest information on standard and optional features, packages and technical specifications. Visit bmwusa.com and select the BMW model of your choice.

Technical data

BMW M240i / M240i xDrive Coupe

Engine: 3.0-liter M Performance TwinPower Turbo inline 6-cylinder

Output: 335 hp @ 5500 / 369 lb-ft @ 1520–4500

0–60 mph (sec)¹: 4.4 [4.6] / 4.2

Mileage (City/Highway/Combined)²: 21 / 32 / 25 [19 / 28 / 22] / 21 / 31 / 25

BMW M240i / M240i xDrive Convertible

Engine: 3.0-liter M Performance TwinPower Turbo inline 6-cylinder

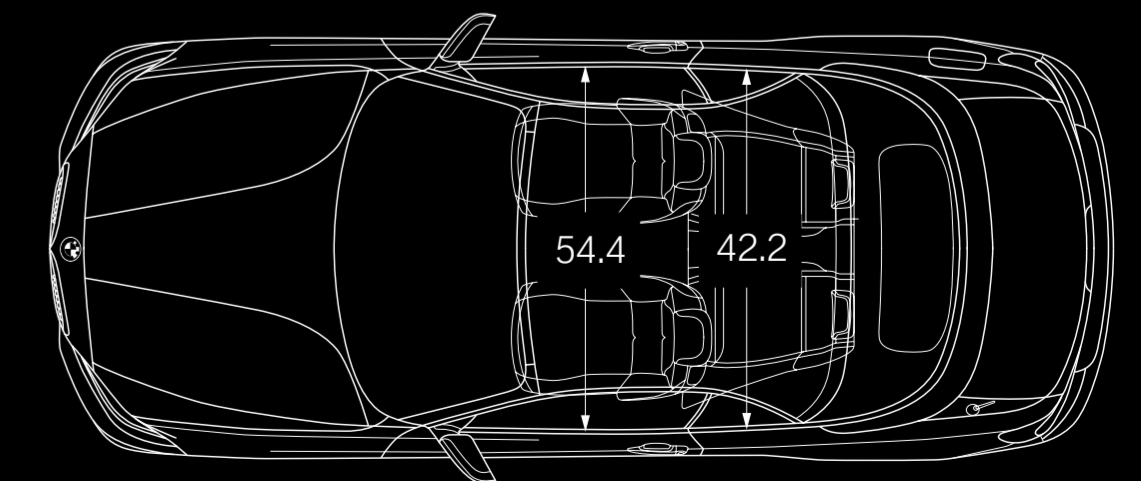
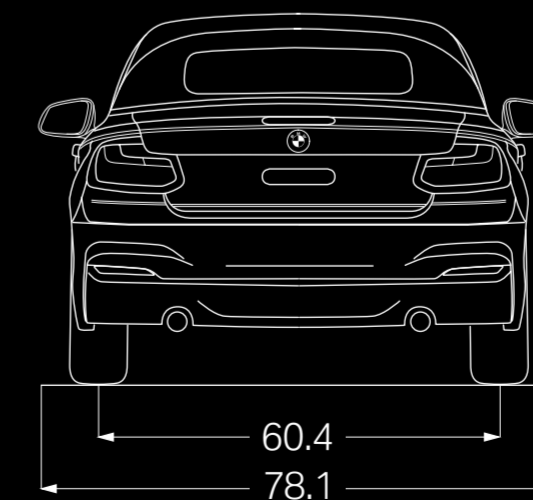
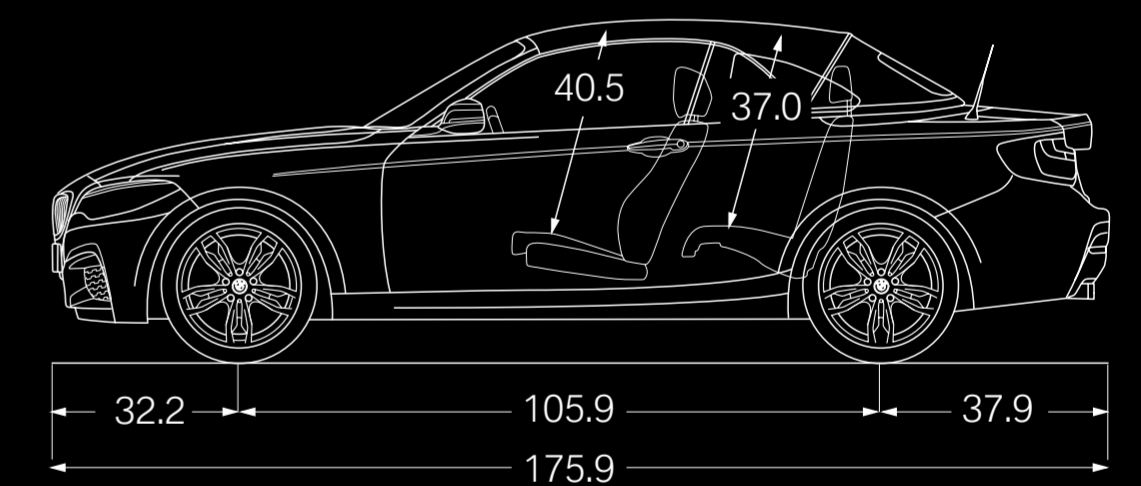
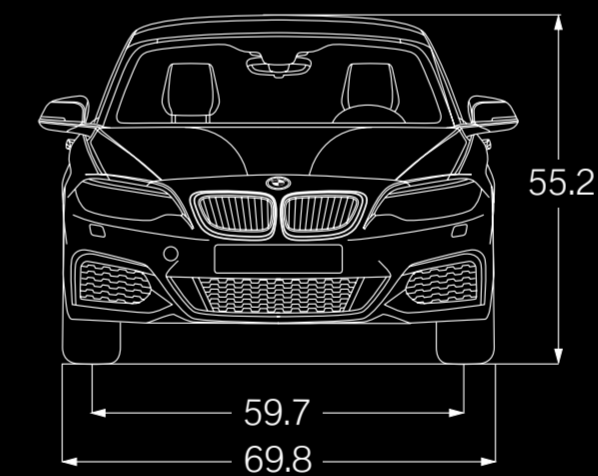
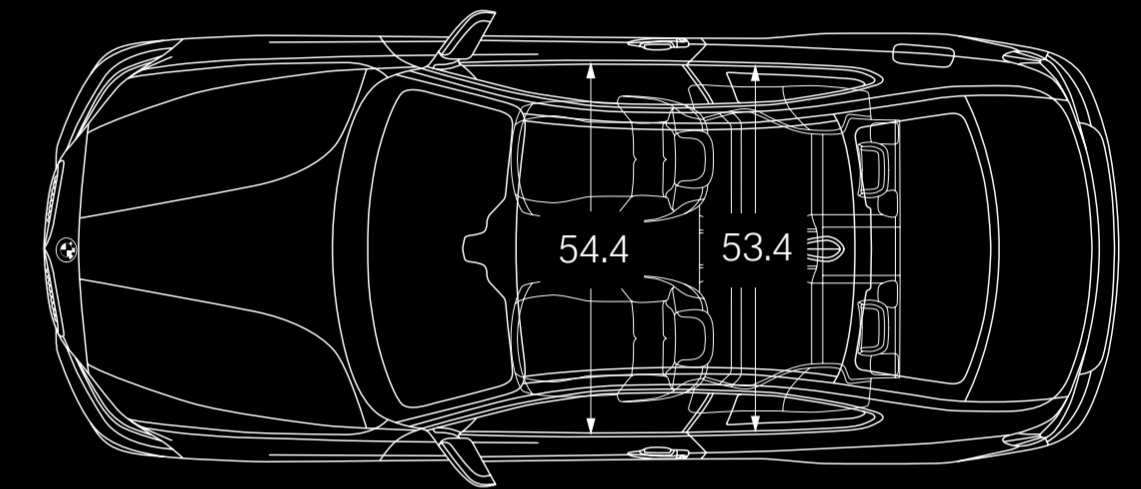
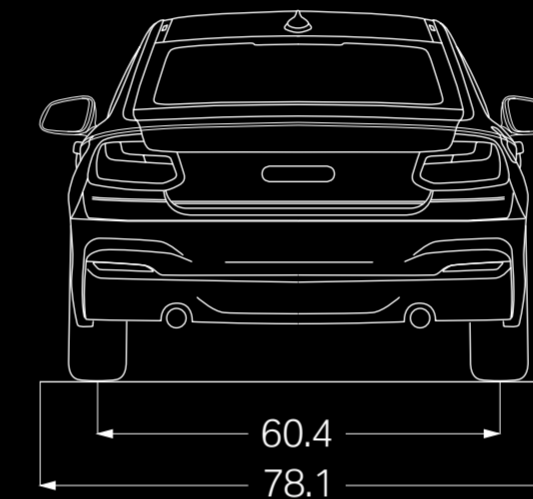
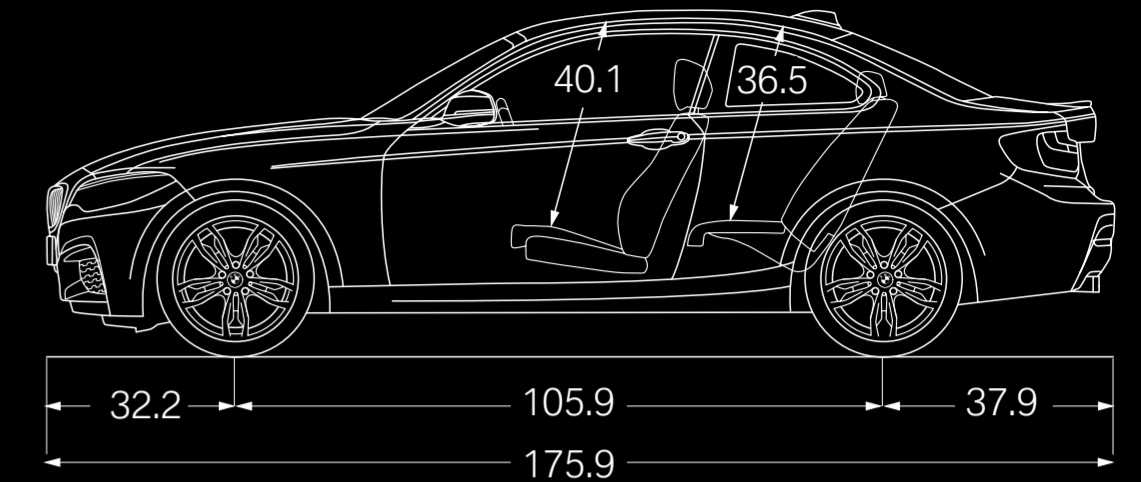
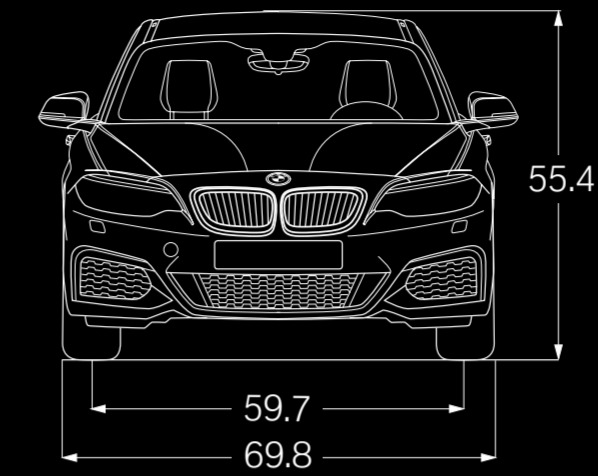
Output: 335 hp @ 5500 / 369 lb-ft @ 1520–4500

0–60 mph (sec)¹: 4.5 [4.7] / 4.4

Mileage (City/Highway/Combined)²: 21 / 32 / 25 [19 / 29 / 23] / 21 / 31 / 25



Dimensions



¹BMW AG preliminary test results. Actual acceleration results may vary, depending on specification of vehicle; road and environmental conditions; testing procedures and driving style. These results should be used for comparison only and verification should not be attempted on public roads. BMW urges you to obey all posted speed laws and always wear safety belts.

²EPA-estimated figures are for comparison purposes only. Please go to bmwusa.com for the most up-to-date fuel consumption information. Your actual mileage will vary, depending on speed, driving habits, trip length and driving conditions; actual mileage may be lower.

Figures in [] refer to vehicles with manual transmission.

Figures subject to change. Please visit your BMW Center for the most up-to-date information. Get the latest information on standard and optional features, packages and technical specifications. Visit bmwusa.com and select the BMW model of your choice.

THE COMPETITION HAS ARRIVED.

The All-New BMW M2 Competition Coupe is packed with performance. A new M TwinPower Turbo engine puts down 405 hp and powers the M2 from 0–60 in just 4.0 seconds¹, while an M Sport suspension with new carbon fiber strut tower brace works to keep everything under control. The Competition comes prepared – are you?

¹BMW AG preliminary test results. Actual acceleration results may vary, depending on specification of vehicle; road and environmental conditions; testing procedures and driving style. These results should be used for comparison only and verification should not be attempted on public roads. BMW urges you to obey all posted speed laws and always wear safety belts.

THE BMW M2

Exterior

Upholstery

Trims

Wheels

Packages

Technical data



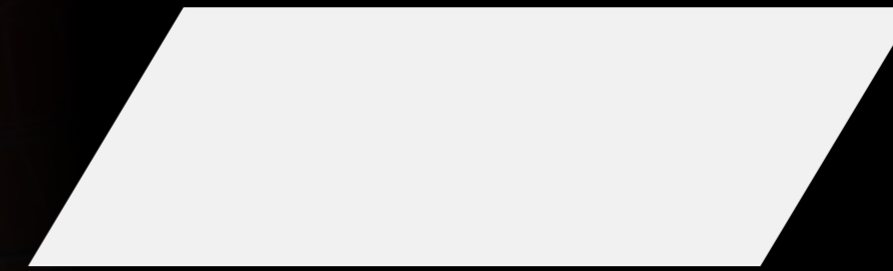


M IN EVERY DETAIL.

The BMW M2 Competition Coupe is designed to excite from the outside in. A unique color palette, quad M tailpipes and 19" Y-Spoke wheels bring an enhanced aggressive look to the already sleek BMW 2 Series design.

Not all features are available on all models. Get the latest information on standard and optional features, packages and technical specifications. Visit bmwusa.com and select the BMW model of your choice.

Exterior colors



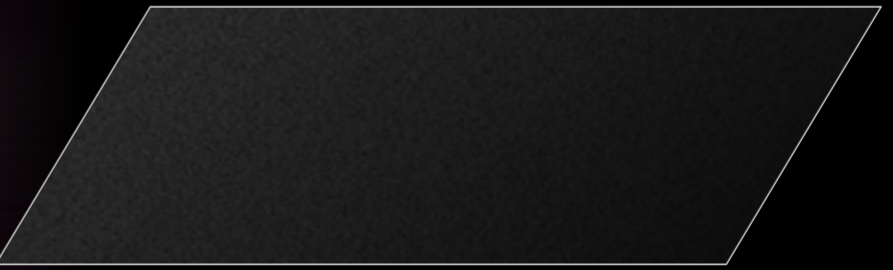
300 Alpine White (NonMetallic)



C16 Long Beach Blue Metallic



C33 Hockenheim Silver Metallic



475 Black Sapphire Metallic



C1X Sunset Orange Metallic

Get the look

Love the look shown here?
You can get it with these features.



C33 Hockenheim Silver Metallic



M brake calipers in silver



19" M Forged Black Y-Spoke wheels,
style 788 M

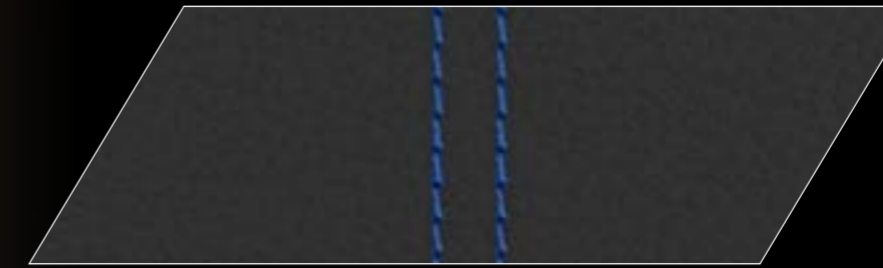


M IN EVERY DETAIL.

From the new M Sport seats taken from the BMW M3 that hold you firmly in place during spirited driving, to the tri-colored M stripes on the safety-belt straps, the BMW M2 Competition Coupe is here to bring out your motorsport passion.

Not all features are available on all models. Get the latest information on standard and optional features, packages and technical specifications. Visit bmwusa.com and select the BMW model of your choice. Leather on all seating surfaces; other components may be Leather or SensaTec.

Upholstery



MDB2 Black Dakota Leather with blue stitching



MDOE Black Dakota Leather with orange stitching

Get the look

Love the look shown here? You can get it with these features.



M Steering Wheel



iDrive 6.0



MDB2 Black Dakota Leather with blue stitching

Leather: Leather on all seating surfaces; other components may be Leather or SensaTec.



Interior trims



4MC Carbon Fiber Interior Trim



4LU Black High-gloss Trim with Pearl Chrome Accent

Get the look

Love the look shown here?
You can get it with these features.



4MC Carbon Fiber Interior Trim



M DCT Transmission



M Door Sill Finishers

Not all features are available on all models. Get the latest information on standard and optional features, packages and technical specifications. Visit bmwusa.com and select the BMW model of your choice.

Wheels



18" M Double-spoke jet black wheels, style 719M
18 x 7.5 front, 18 x 8.0 rear; and 225/40 front, 245/35 rear performance^{1,2} run-flat³ tires

18 x 7.5; and 225/40 all-season¹ run-flat³ tires



18" M Double-spoke bi-color wheels, style 719M
18 x 7.5 front, 18 x 8.0 rear; and 225/40 front, 245/35 rear performance^{1,2} run-flat³ tires

18 x 7.5; and 225/40 all-season¹ run-flat³ tires

¹ Run-flat tires do not come equipped with a spare wheel and tire.

² Driving over rough or damaged road surfaces, as well as debris, curbs and other obstacles, can cause serious damage to wheels, tires and suspension parts. This is more likely to occur with low-profile tires, which provide less cushioning between the wheel and the road. Be careful to avoid road hazards and reduce your speed, especially if your vehicle is equipped with low-profile tires.

³ Performance tires are not recommended for driving in ice and snow conditions.

Wheel and tire specifications are subject to change. Not all features are available on all models. Get the latest information on standard and optional features, packages and technical specifications. Visit bmwusa.com and select the BMW model of your choice.

Packages

Executive Package

Heated Steering Wheel

Adaptive Full LED Lights

Automatic High Beams

Wireless Charging and Wifi Hotspot

Speed Limit Info

Not all features are available on all models. Get the latest information on standard and optional features, packages and technical specifications. Visit bmwusa.com and select the BMW model of your choice.

Technical data

BMW M2

Engine: 3.0-liter M TwinPower Turbo inline 6-cylinder

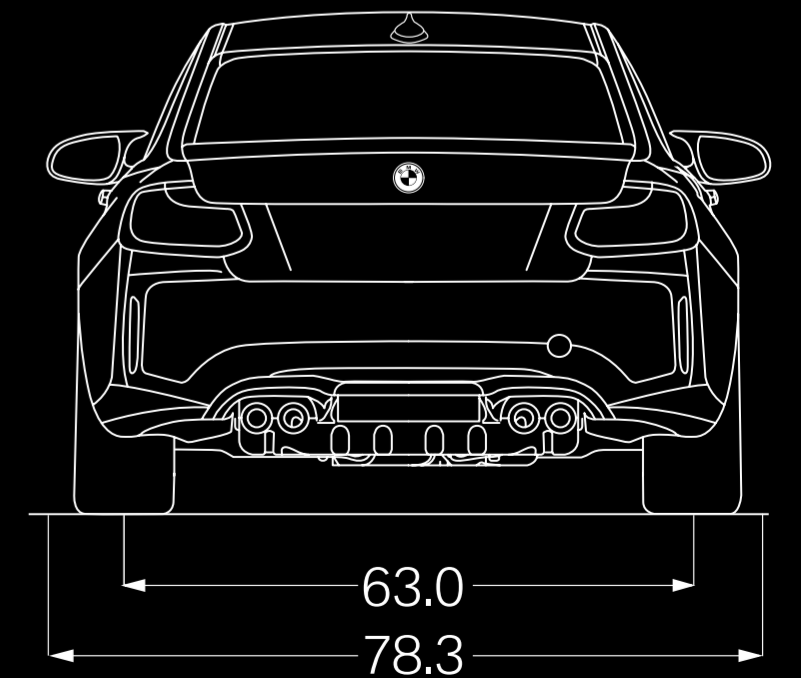
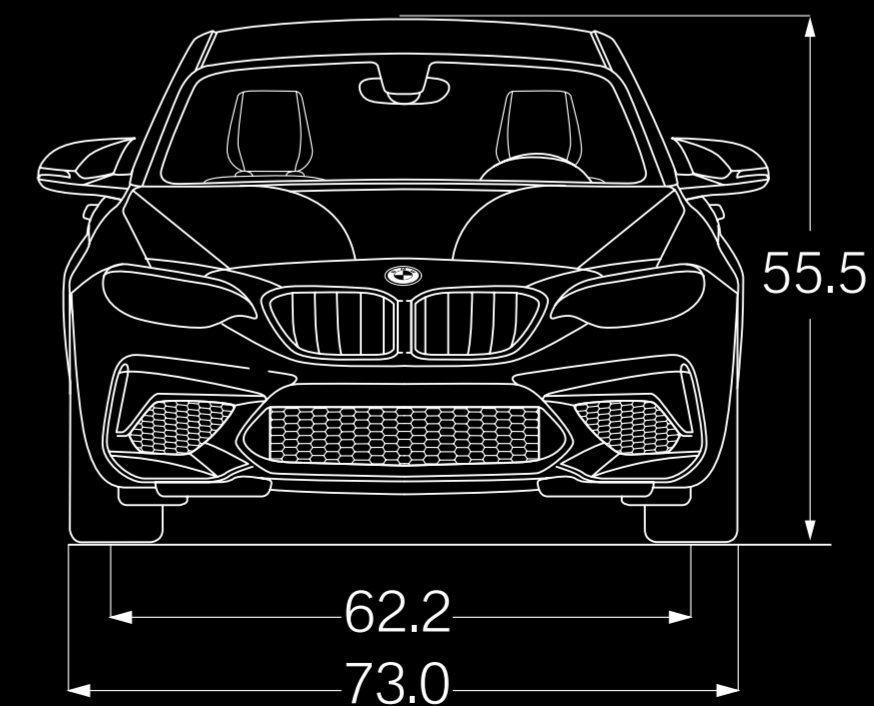
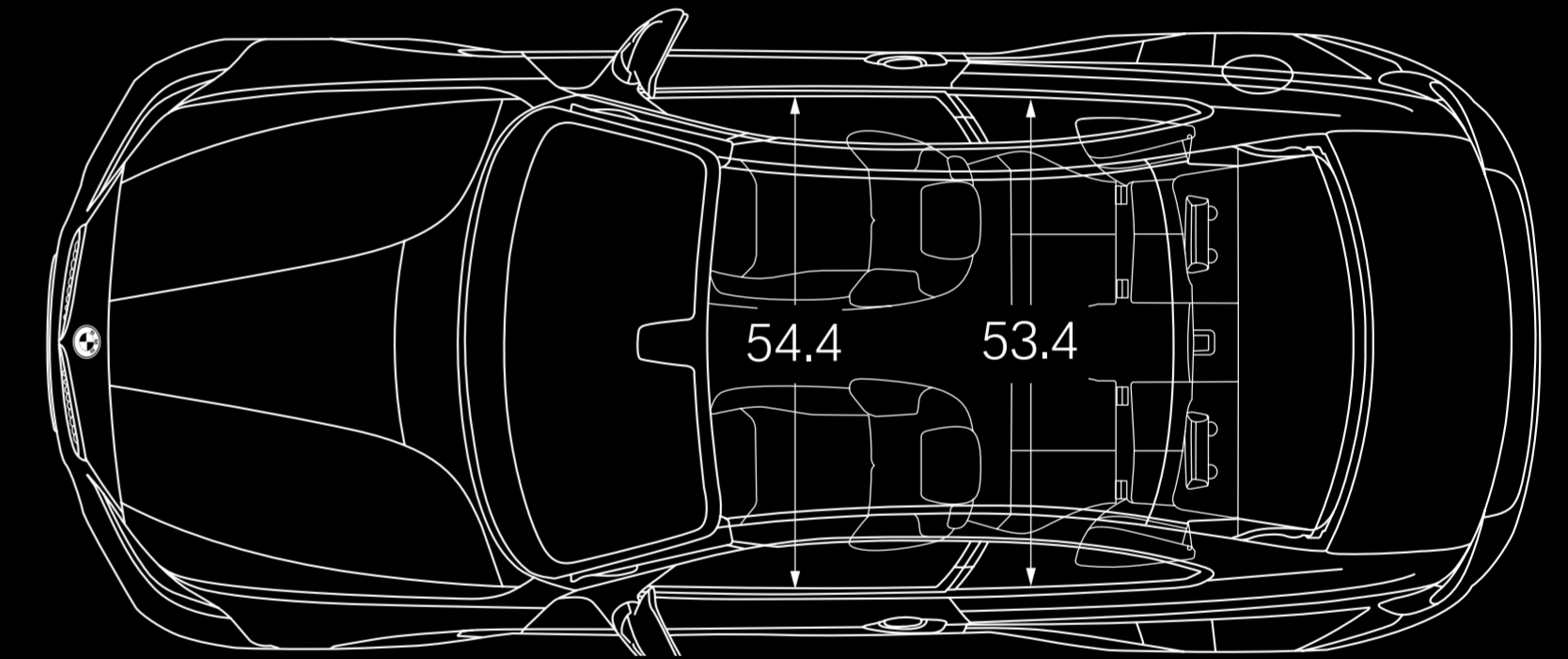
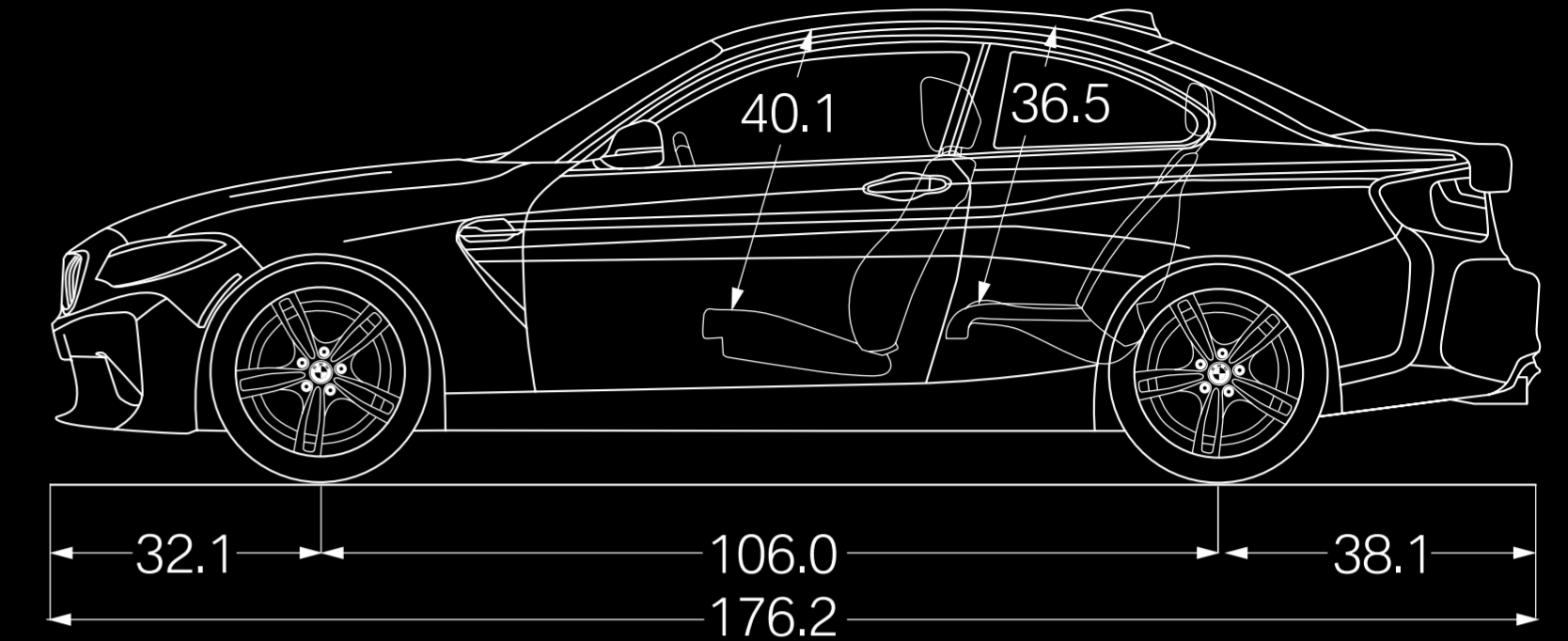
Output: 405 hp @ 5230–7000 / 406 lb-ft @ 2350–5230

0–60 mph (sec)¹: 4.2 [4.0]

Mileage (City/Highway/Combined)²: 24 / 34 / 27



Dimensions



¹BMW AG preliminary test results. Actual acceleration results may vary, depending on specification of vehicle; road and environmental conditions; testing procedures and driving style. These results should be used for comparison only and verification should not be attempted on public roads. BMW urges you to obey all posted speed laws and always wear safety belts.

²EPA-estimated figures are for comparison purposes only. Please go to bmwusa.com for the most up-to-date fuel consumption information. Your actual mileage will vary, depending on speed, driving habits, trip length and driving conditions; actual mileage may be lower.

Figures in [] refer to vehicles with manual transmission.

Figures subject to change. Please visit your BMW Center for the most up-to-date information. Get the latest information on standard and optional features, packages and technical specifications. Visit bmwusa.com and select the BMW model of your choice.

FOUR DOORS, FAST.

The 3 Series is the best-selling BMW sedan. Add M to the equation and its personality transforms for the drivers who need an extra shot of adrenaline with their everyday driving. More power and suspension enhancements are designed by BMW M race engineers to generate thrills – around the corner and around the track.

THE BMW M3

 Exterior

Upholstery

Trims

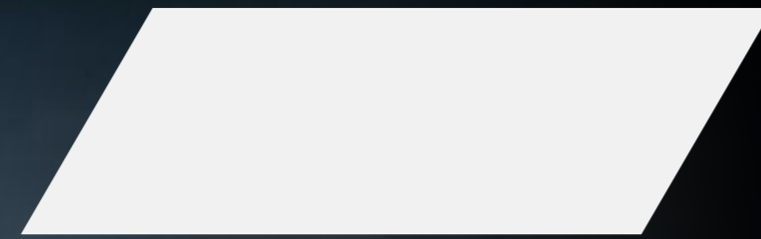
Wheels

Packages

Technical data



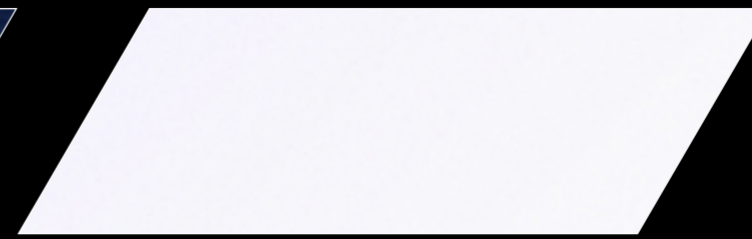
Exterior colors



300 Alpine White (NonMetallic)



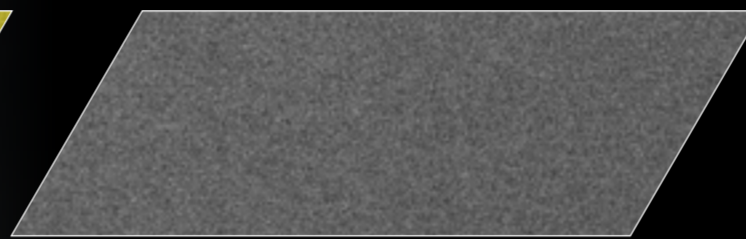
X10 Tanzanite Blue Metallic



A96 Mineral White Metallic



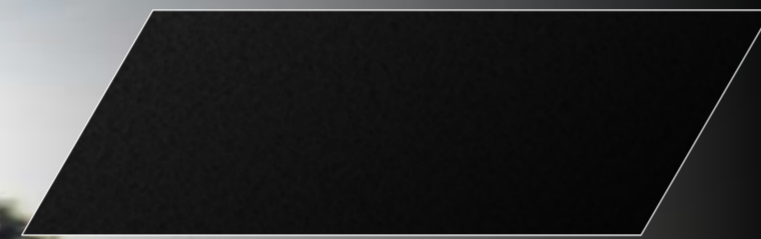
B67 Austin Yellow Metallic



ZLR Lime Rock Grey Metallic



B68 Yas Marina Blue Metallic



475 Black Sapphire Metallic



X12 Smoked Topaz Metallic



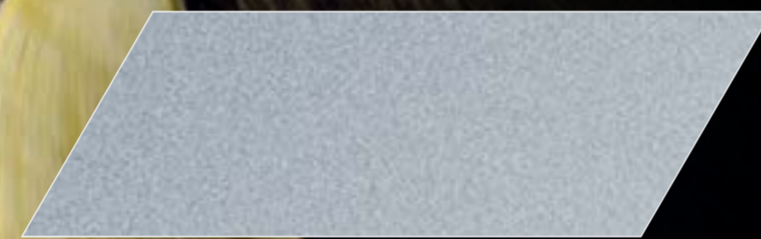
ZFY Frozen Dark Blue II



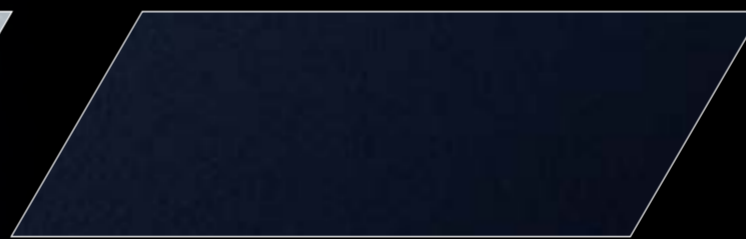
B51 San Marino Blue Metallic



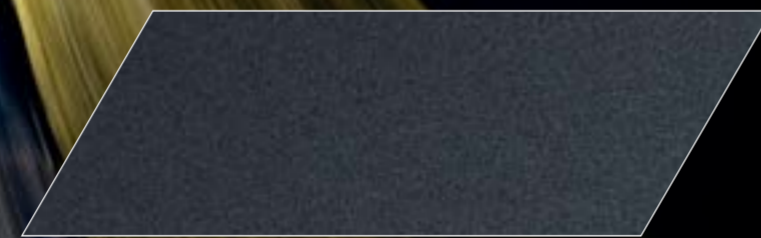
X08 Champagne Quartz Metallic



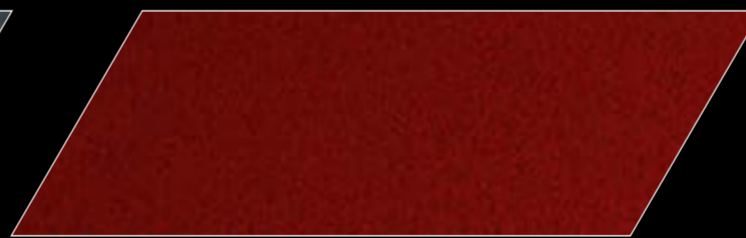
A29 Silverstone Metallic



S34 Azurite Black Metallic



B39 Mineral Grey Metallic



C1H Sakhir Orange II Metallic

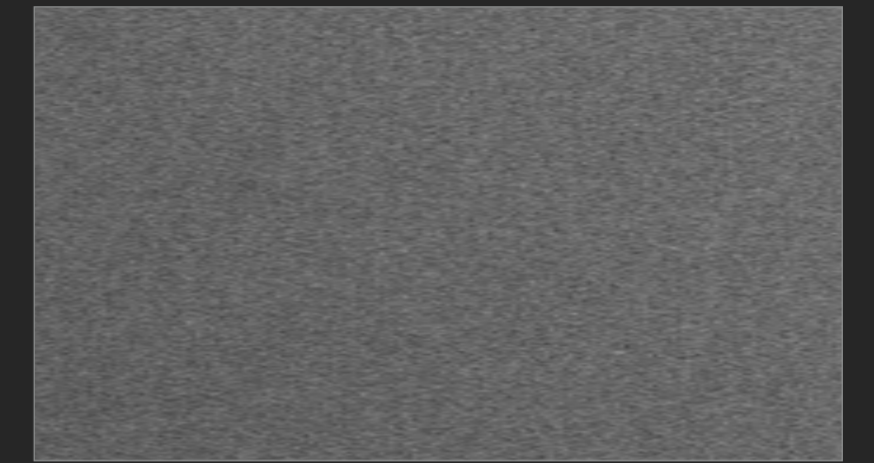
THE ULTIMATE M3.

Meet the BMW M3 CS, the ultimate expression of the breed. With 453 hp from its M TwinPower Turbo engine, unique forged light alloy wheels (style 763M) and carbon fiber aero elements throughout, its intent is clear. Are you ready?

Not all features are available on all models. Get the latest information on standard and optional features, packages and technical specifications. Visit bmwusa.com and select the BMW model of your choice.

Get the look

Love the look shown here? You can get it with these features.



ZLR Lime Rock Grey Metallic



Gloss Black Kidney Grilles



19" / 20" M Forged Black V-Spoke Wheels (Style 763M)

Upholstery



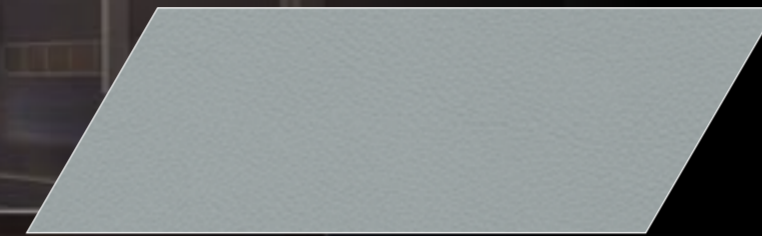
CSAT Cloth & Leather Combination



X3DA Sakhir Orange Full Merino Leather



ZAWT Cohiba Brown Full Merino Leather



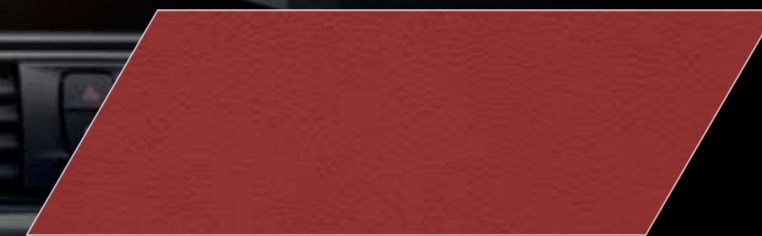
LKA9 Silverstone Extended Merino Leather



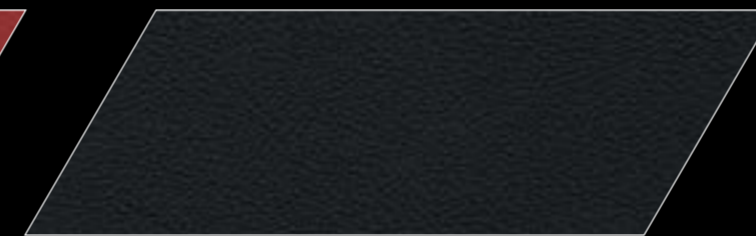
X3JR Sonoma Beige Full Merino Leather



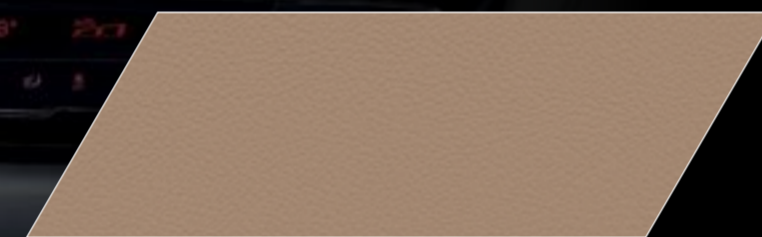
ZAOW Open White Full Merino Leather



LKDA Sakhir Orange Extended Merino Leather



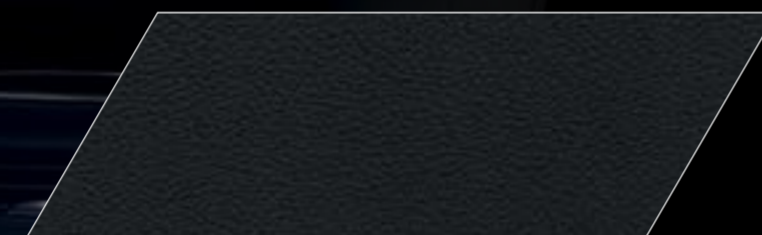
LKSW Black Full Merino Leather



LKJR Sonoma Beige Extended Merino Leather



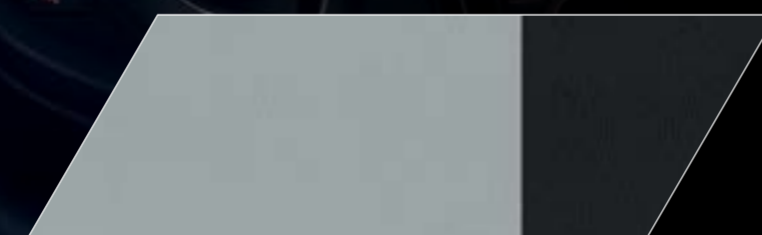
ZAG8 Golden Brown Full Merino Leather



LKSW Black Extended Merino Leather



ZAML Nutmeg Full Merino Leather



X3A9 Silverstone Full Merino Leather



ZAP5 Amaro Brown Full Merino Leather

WHAT A ROAD-GOING RACE COCKPIT LOOKS LIKE.

As with all M vehicles, we've taken the best engineering of our race cockpits and enhanced them for everyday driving – M instruments, M seating, M steering wheel and carbon fiber, too. Yes, it's all here.

Not all features are available on all models. Get the latest information on standard and optional features, packages and technical specifications. Visit bmwusa.com and select the BMW model of your choice.

Leather on all seating surfaces; other components may be Leather or SensaTec.

Get the look

Love the look shown here? You can get it with these features.



M DCT Transmission



ZAOW Opel White Merino Leather



iDrive 6.0

Leather: Leather on all seating surfaces; other components may be Leather or SensaTec.

Interior trims



4WL Carbon Fiber trim /
Black Chrome highlight



XE5 Dark Red Sycamore
Wood trim



4FU Fineline Anthracite Wood trim /
Pearl Gloss Chrome highlight



XE7 Piano Black trim



4WK Aluminum Blade trim /
Black Chrome highlight



XEX White Ash Grain Wood trim



Alcantara Anthracite trim with
perforated CS lettering

Get the look

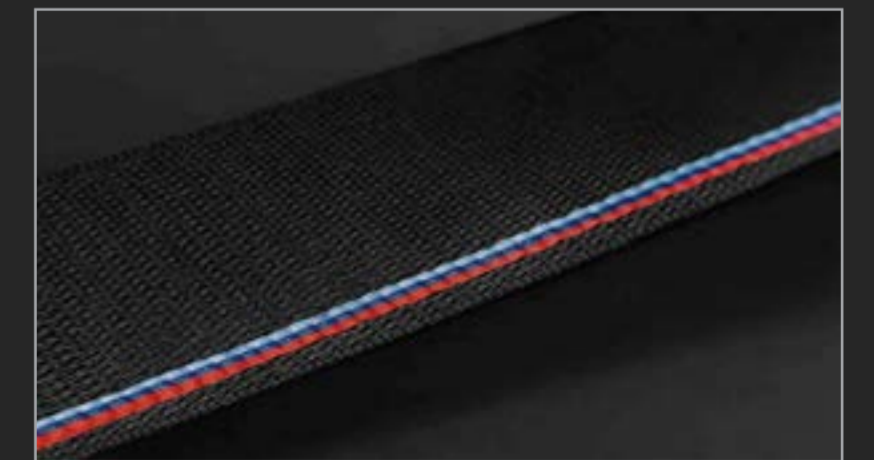
Love the look shown here?
You can get it with these
features.



XE7 Piano Black trim



ZAOW Opel White Merino Leather



M Seat Belt

Not all features are available on all models. Get the latest information on standard and optional features, packages and technical specifications. Visit bmwusa.com and select the BMW model of your choice.

Wheels



18" M V-spoke ferric grey wheels, style 513M
18 x 9.0 front, 18 x 10 rear; and 255/40 front, 275/40 rear performance^{1,2} non run-flat³ tires



19" M Double-spoke forged black wheels, style 437
19 x 9.0 front, 19 x 10 rear; and 255/35 front, 275/35 rear performance^{1,2} non run-flat³ tires



20" M Star-spoke forged wheels, style 666M
20 x 9.0 front, 20 x 10 rear; and 265/30 front, 285/30 rear performance^{1,2} non run-flat³ tires



20" M Star-spoke forged black wheels, style 666M
20 x 9.0 front, 20 x 10 rear; and 265/30 front, 285/30 rear performance^{1,2} non run-flat³ tires



19" M Double-spoke forged wheels, style 437M
19 x 9.0 front, 19 x 10 rear; and 255/35 front, 275/35 rear performance^{1,2} non run-flat³ tires



19" / 20" M Double-spoke forged wheels, style 437M
19 x 9.0 front, 20 x 10 rear; and 255/35 front, 285/30 rear performance^{1,2} non run-flat³ tires

¹ Run-flat tires do not come equipped with a spare wheel and tire.

² Driving over rough or damaged road surfaces, as well as debris, curbs and other obstacles, can cause serious damage to wheels, tires and suspension parts. This is more likely to occur with low-profile tires, which provide less cushioning between the wheel and the road. Be careful to avoid road hazards and reduce your speed, especially if your vehicle is equipped with low-profile tires.

³ Performance tires are not recommended for driving in ice and snow conditions.

Wheel and tire specifications are subject to change. Not all features are available on all models. Get the latest information on standard and optional features, packages and technical specifications. Visit bmwusa.com and select the BMW model of your choice.



Packages

Competition Package

- 20-inch Star Spoke wheels (Style 666M) (option available)
- High-gloss Shadow Line with extended contents
- Performance upgrade (+19 hp)
- Enhanced sport suspension/damper application
- M Dynamic Mode
- Enhanced/more-direct Steering
- Sport exhaust with black chrome tailpipes

Executive Package

- Heated Steering Wheel
- Heated rear seats
- Park Distance Control
- Icon Adaptive Full LED Headlights
- Automatic high beams
- Side and Top View Cameras
- Parking Assistant
- Head-up Display

Driving Assistance Package

- Active Driving Assistant
- Speed Limit Info

Not all features are available on all models. Get the latest information on standard and optional features, packages and technical specifications. Visit bmwusa.com and select the BMW model of your choice.

Technical data

BMW M3

Engine: 3.0-liter M TwinPower Turbo inline 6-cylinder

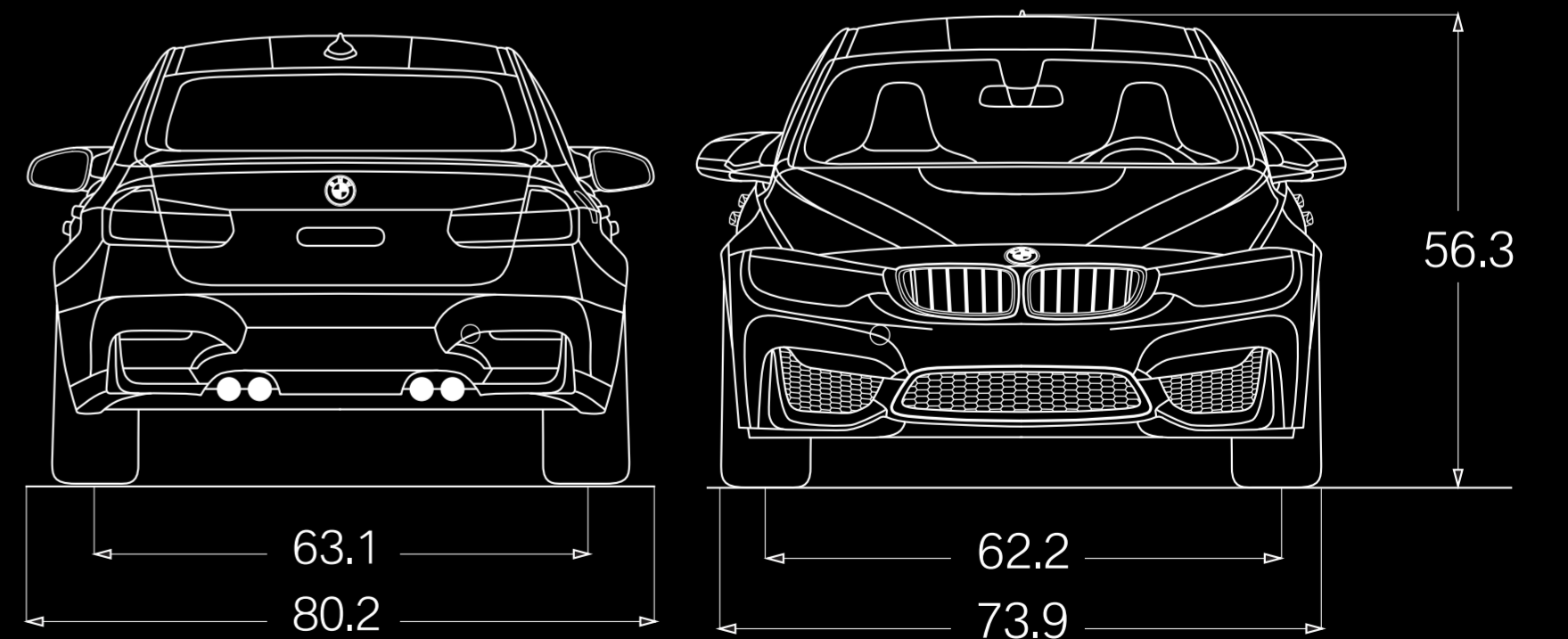
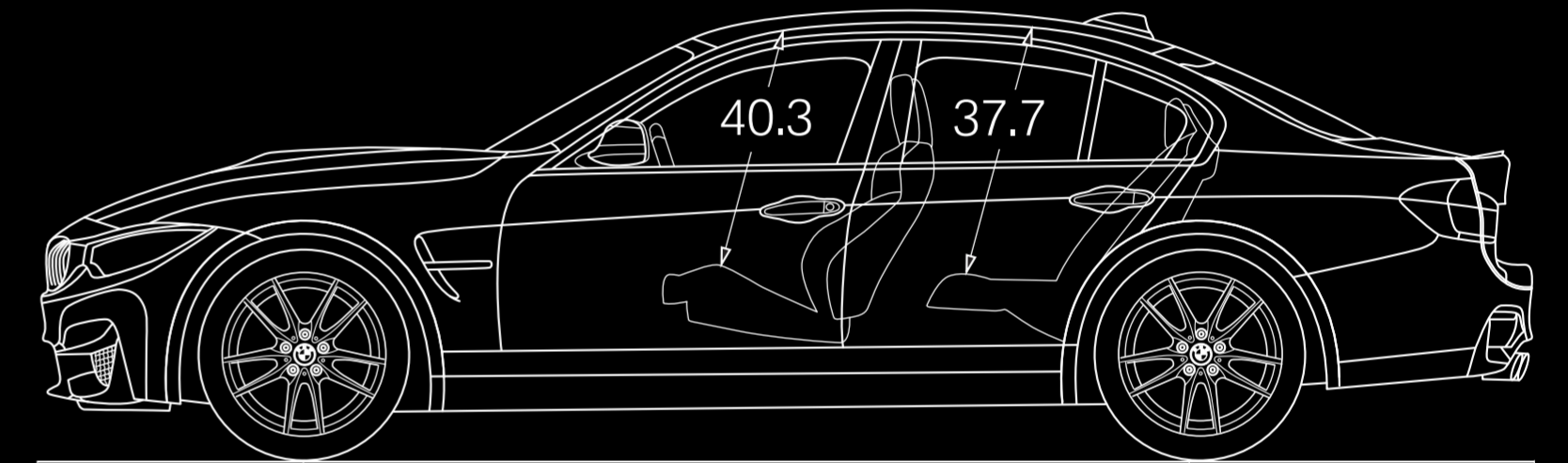
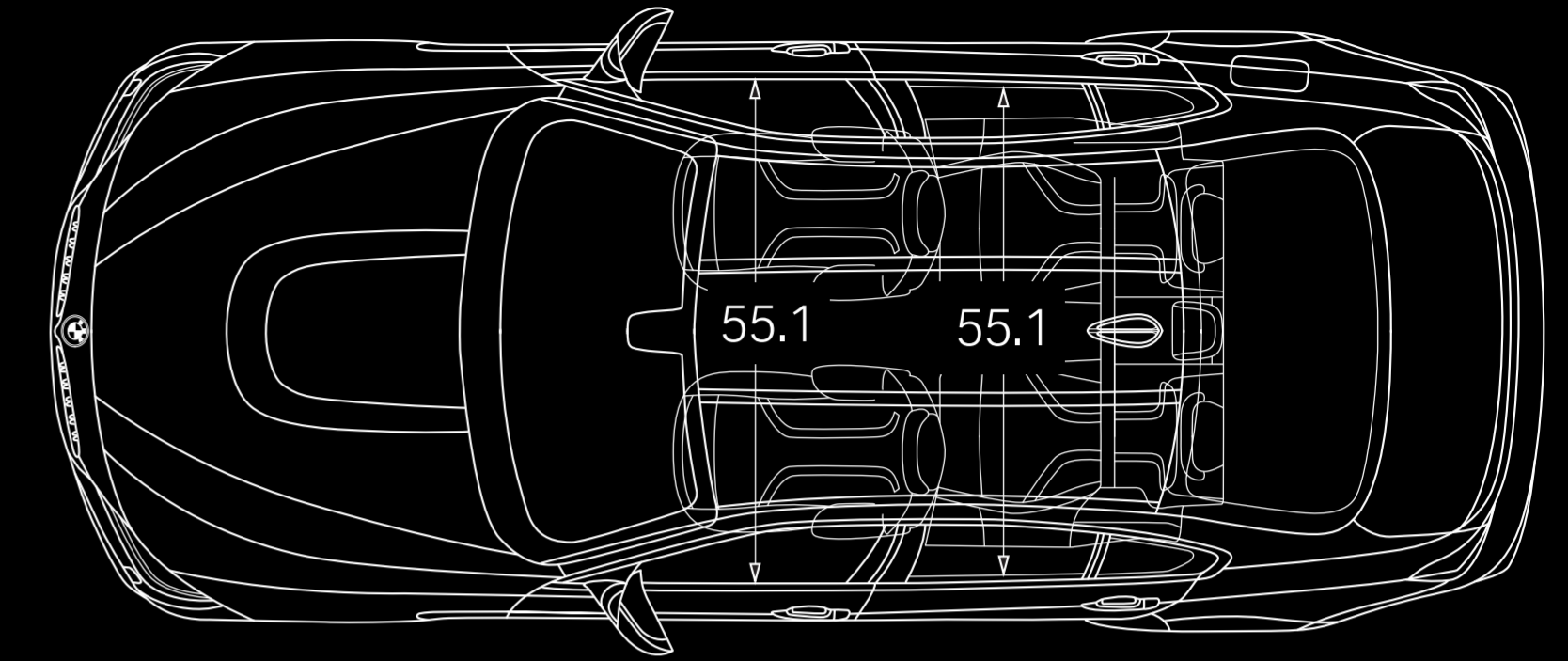
Output: 425 hp @ 5500–7300 / 406 lb-ft @ 1850–5500

0–60 mph (sec)¹: 3.9 [4.1]

Mileage (City/Highway/Combined)²: 17/24/20 [17/25/20]



Dimensions



¹BMW AG preliminary test results. Actual acceleration results may vary, depending on specification of vehicle; road and environmental conditions; testing procedures and driving style. These results should be used for comparison only and verification should not be attempted on public roads. BMW urges you to obey all posted speed laws and always wear safety belts.

²EPA-estimated figures are for comparison purposes only. Please go to bmwusa.com for the most up-to-date fuel consumption information. Your actual mileage will vary, depending on speed, driving habits, trip length and driving conditions; actual mileage may be lower.

Figures in [] refer to vehicles with manual transmission.

Figures subject to change. Please visit your BMW Center for the most up-to-date information. Get the latest information on standard and optional features, packages and technical specifications. Visit bmwusa.com and select the BMW model of your choice.

THE SOUL OF M POWER.

We've taken an eraser to the line between road and track. The BMW M4 chassis is packed with race-proven technologies, from lightweight Carbon Fiber Reinforced Plastic fiber to a race-tuned suspension, Active M Differential, beefier brakes and a screaming 425-hp engine.

THE BMW M4 COUPE

Exterior

Upholstery

Trims

Wheels

Packages

Technical data

